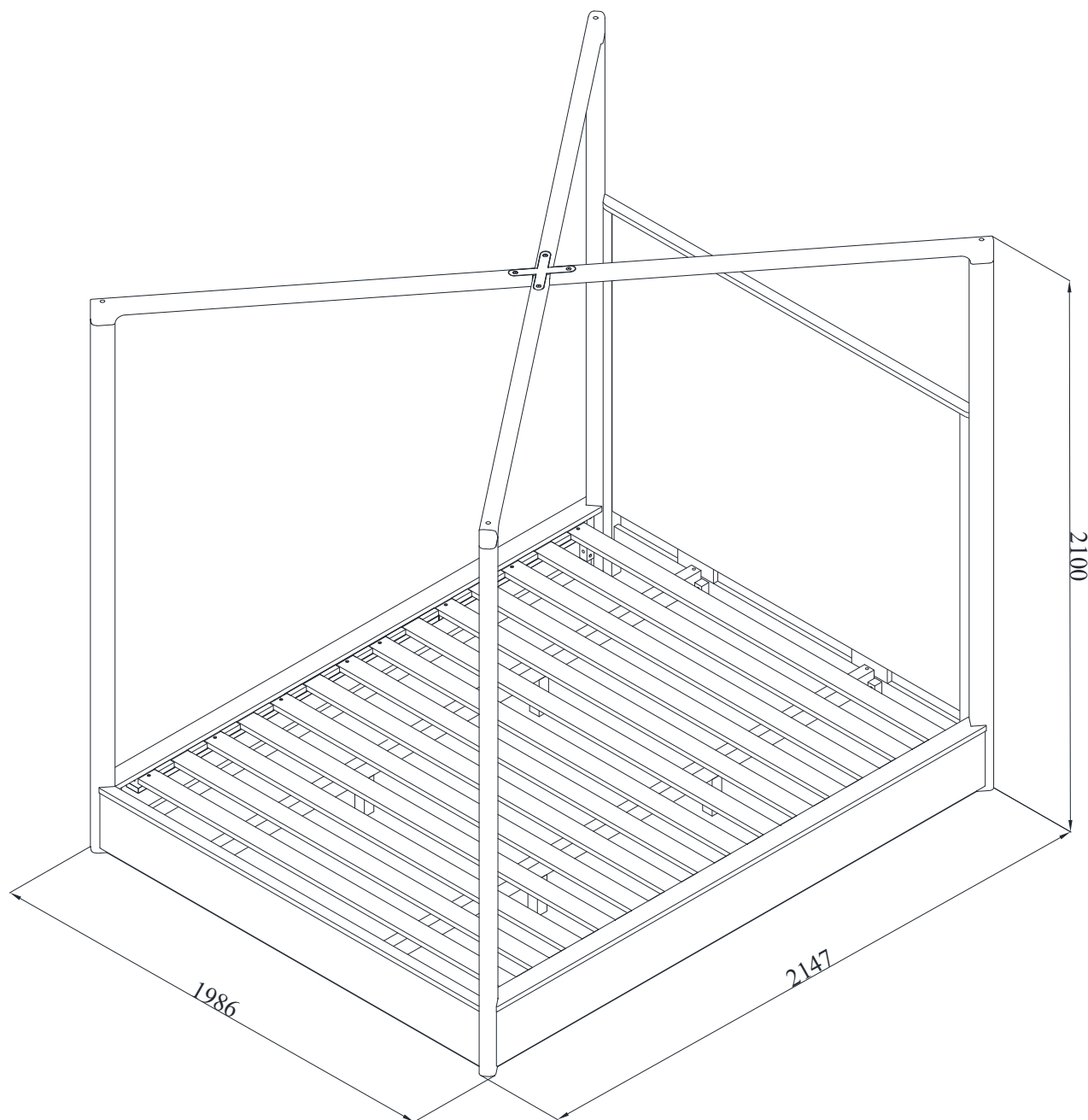




ASSEMBLY INSTRUCTION
NICCOLO 4 POST KING BED
ITEM CODE 79129

Imported by Amart Furniture Pty Ltd, Qld, Brisbane Australia.
For any assistance with assembly or for missing parts please phone
Amart Furniture, Customer Service Free call 1800 351 084




Imported by Amart Furniture Pty Ltd, Qld, Brisbane Australia.
For any assistance with assembly or for missing parts please phone
Amart Furniture, Customer Service Free call 1800 351 084

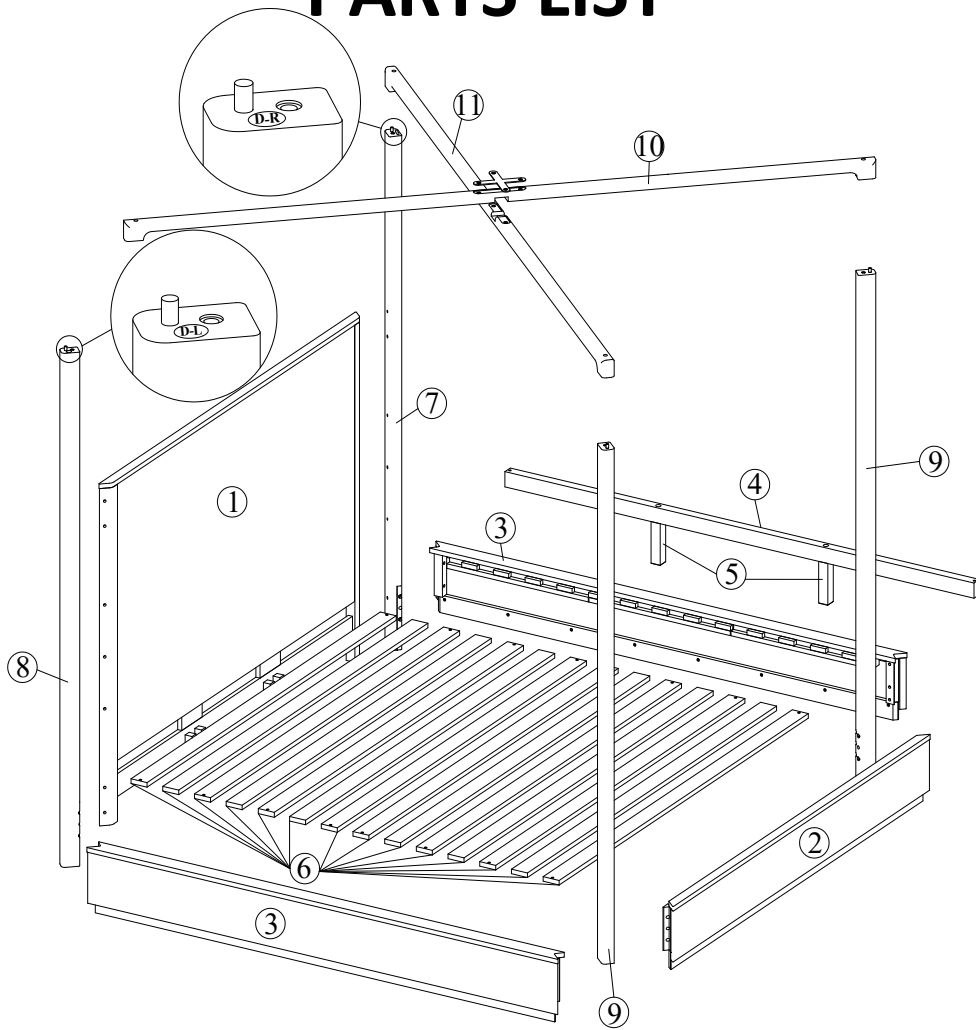
PRE-ASSEMBLY PREPARATION

Before you start:








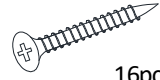




1. Choose a clean, level, spacious assembly area. Avoid hard surfaces that may damage the product
2. Take care when lifting. Product should be assembled as near as possible to the point of use
3. Ensure that you have all required contents for complete assembly
4. Always read the assembly instructions carefully before beginning assembly.
5. Keep all hardware parts and packaging out of reach of small children.
6. Do not over tighten the screws and bolts as this may damage the threads

	
ALLOW 45 MINUTES	2 PEOPLE REQUIRED
	<p>We recommend using a allen key to put this item together. However if you choose to use a power drill it must be used on LOW SPEED (LOW TORQUE) as too much pressure could damage the product.</p>
ADDITIONAL TOOLS REQUIRED	

PARTS LIST

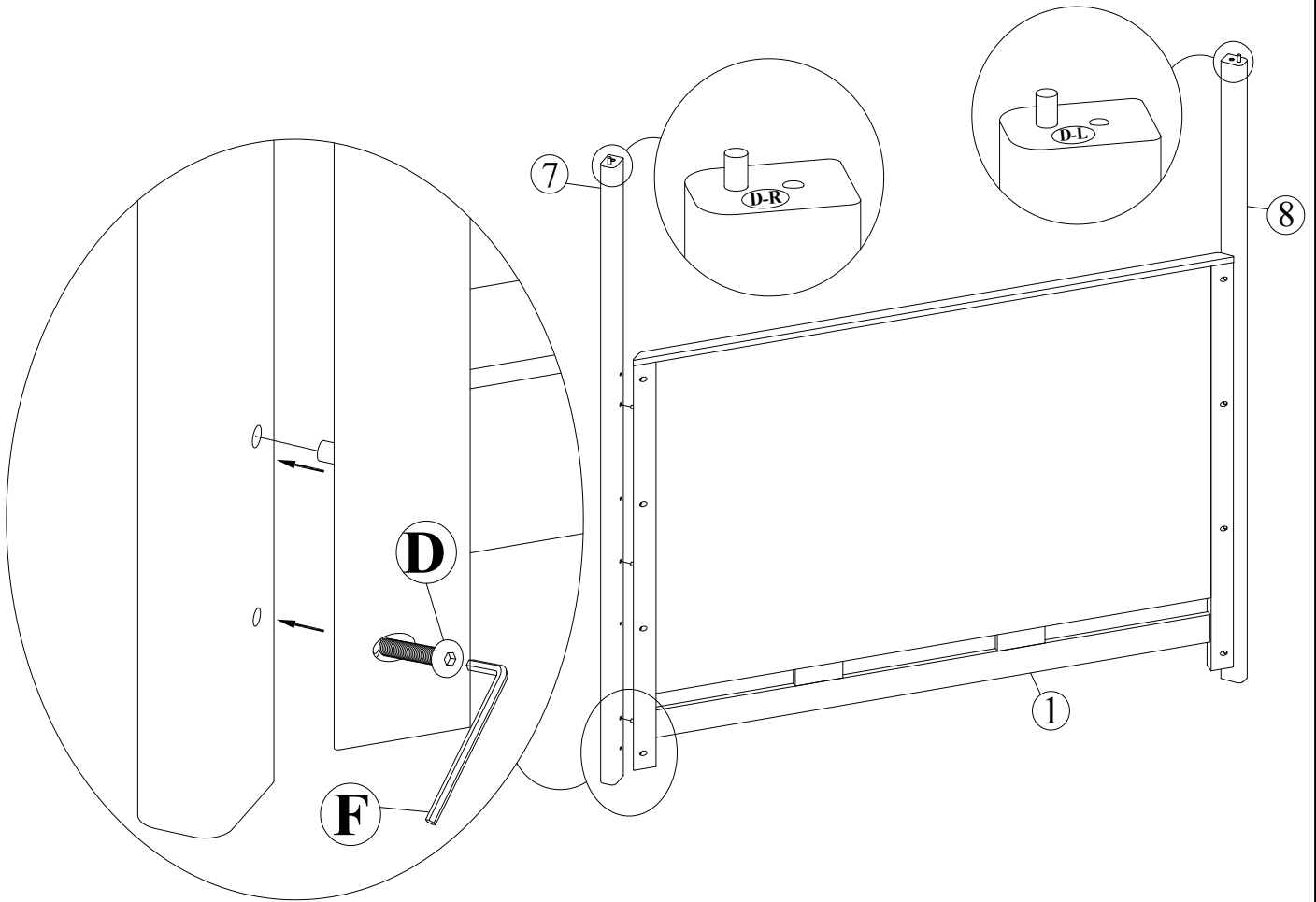




NO	DESCRIPTION	Qty	NO	DESCRIPTION	Qty
1	HEADBOARD	1	7	RIGHT FRONT LEG (D-R)	1
2	FOOTBOARD	1	8	LEFT FRONT LEG (D-L)	1
3	SIDERAIL	2	9	BACK LEG	2
4	CENTRE RAIL	2	10	TOP POSTER	1
5	SUPPORT LEGS	4	11	BOTTOM POSTER	1
6	SLATS	14			

A. Bolts M6x70  4pcs	B. Bolts M6x60  4pcs	C. Bolts M6x45  12pcs	D. Bolts M6x30  8pcs
E. Bolts M6x15  4pcs	F. Allen key M4  1pc	G. Screws M4x40  4pcs	H. Screws M4x30  16pcs
I. Flat Washers (Φ6.5xΦ19)  4pcs	J. Flat Washers (Φ6.5xΦ16)  12pcs	K. Lock Washers (Φ6.5xΦ9)  16pcs	L. Supporting bracket  1pc

STEP 1

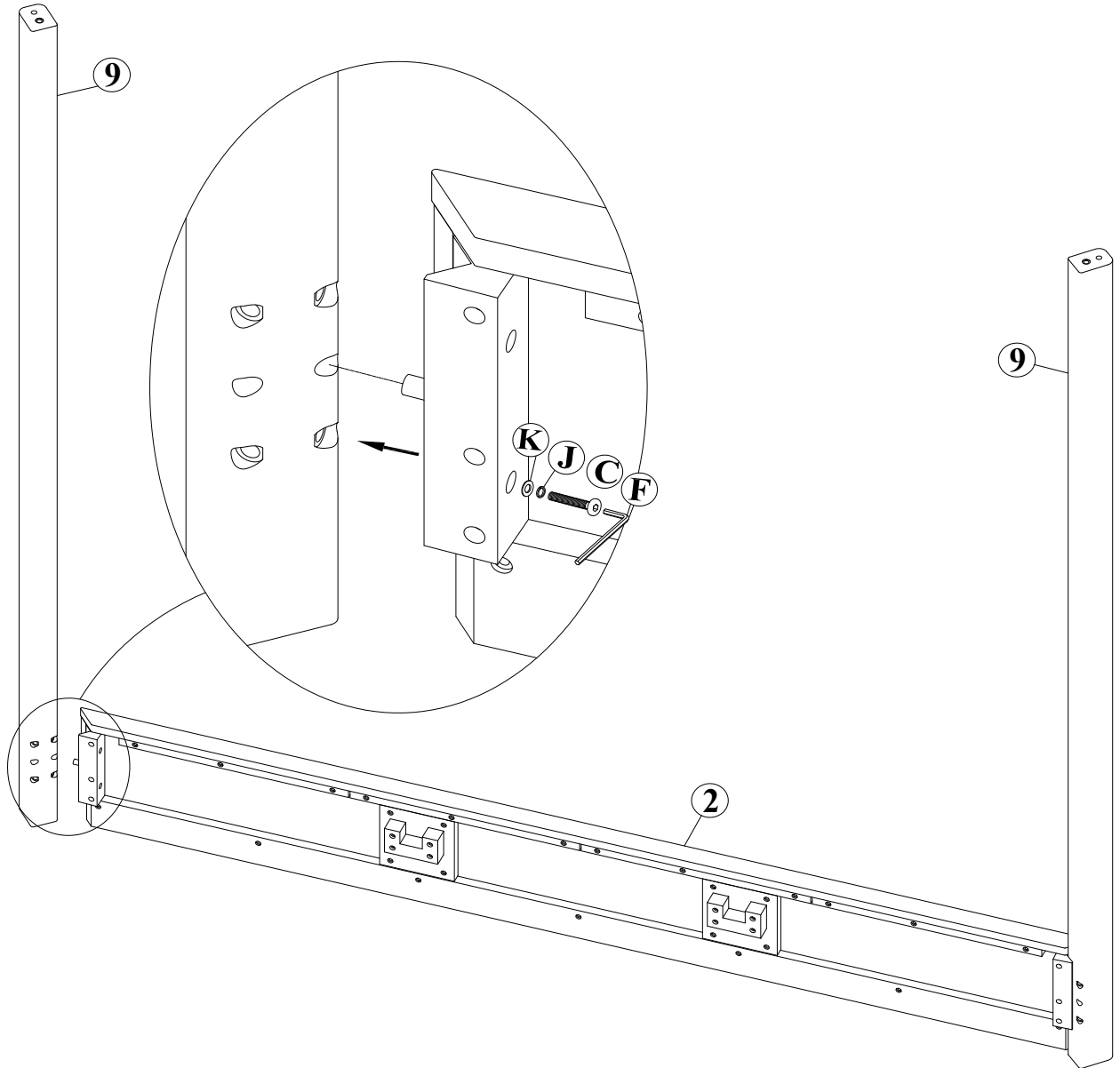
- Attach Front Leg (7) & (8) to Headboard (1) secure using Bolts (D).
- Tighten with Allen Key (F).







D. Bolts M6x30  8pcs	F. Allen key M4  1pc
---	---

STEP 2

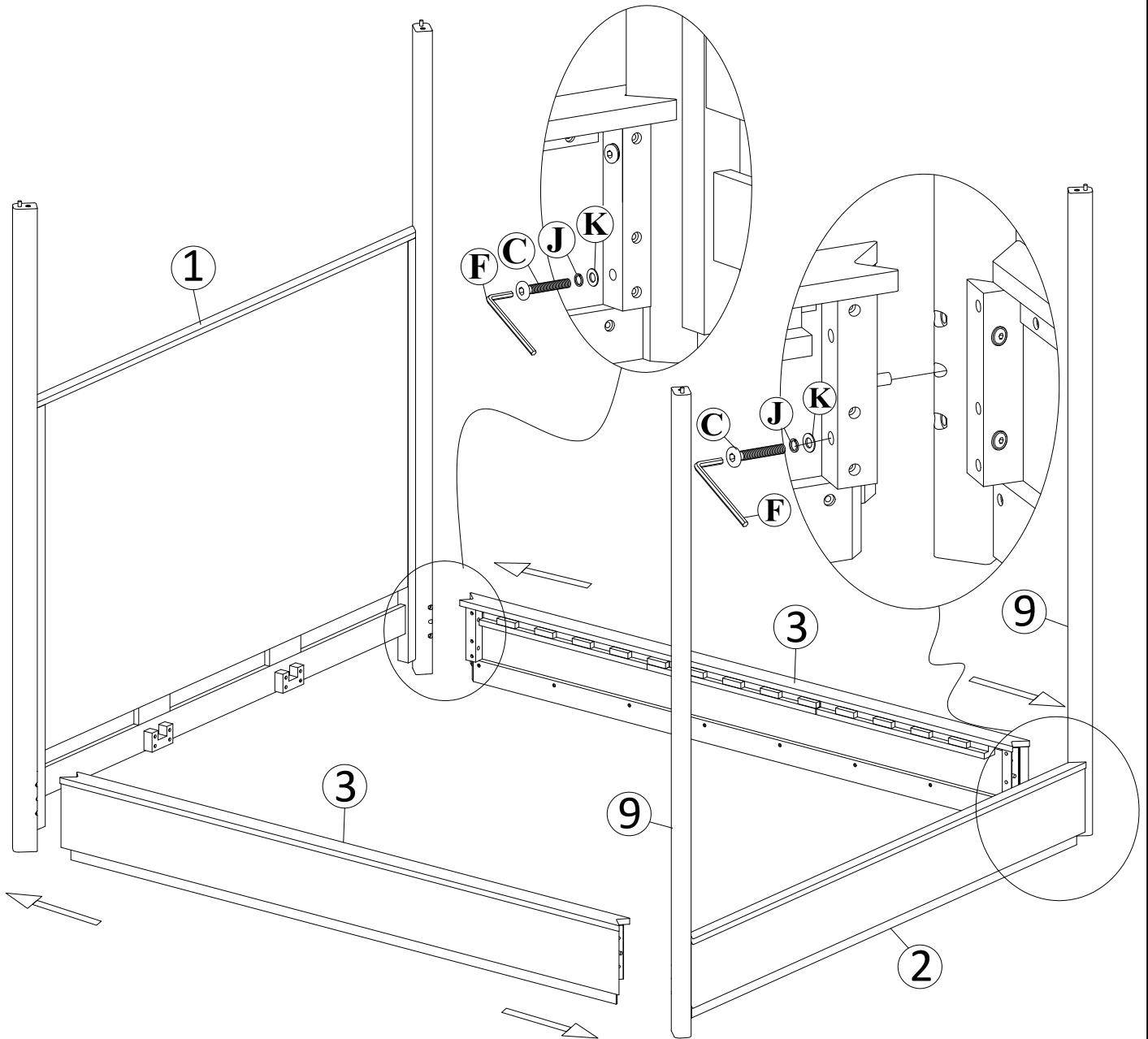
- Attach Back Legs (9) to Footboard (2) secure using Bolts (C) Flat washers (J) and Lock Washers (K).
- Tighten with Allen Key (F).







<p>C. Bolts M6x45</p>  <p>4pcs</p>	<p>F. Allen key M4</p>  <p>1pc</p>	<p>J. Flat Washers (Φ6.5xΦ16)</p>  <p>4pcs</p>	<p>K. Lock Washers (Φ6.5xΦ9)</p>  <p>4pcs</p>
---	---	--	--

STEP 3

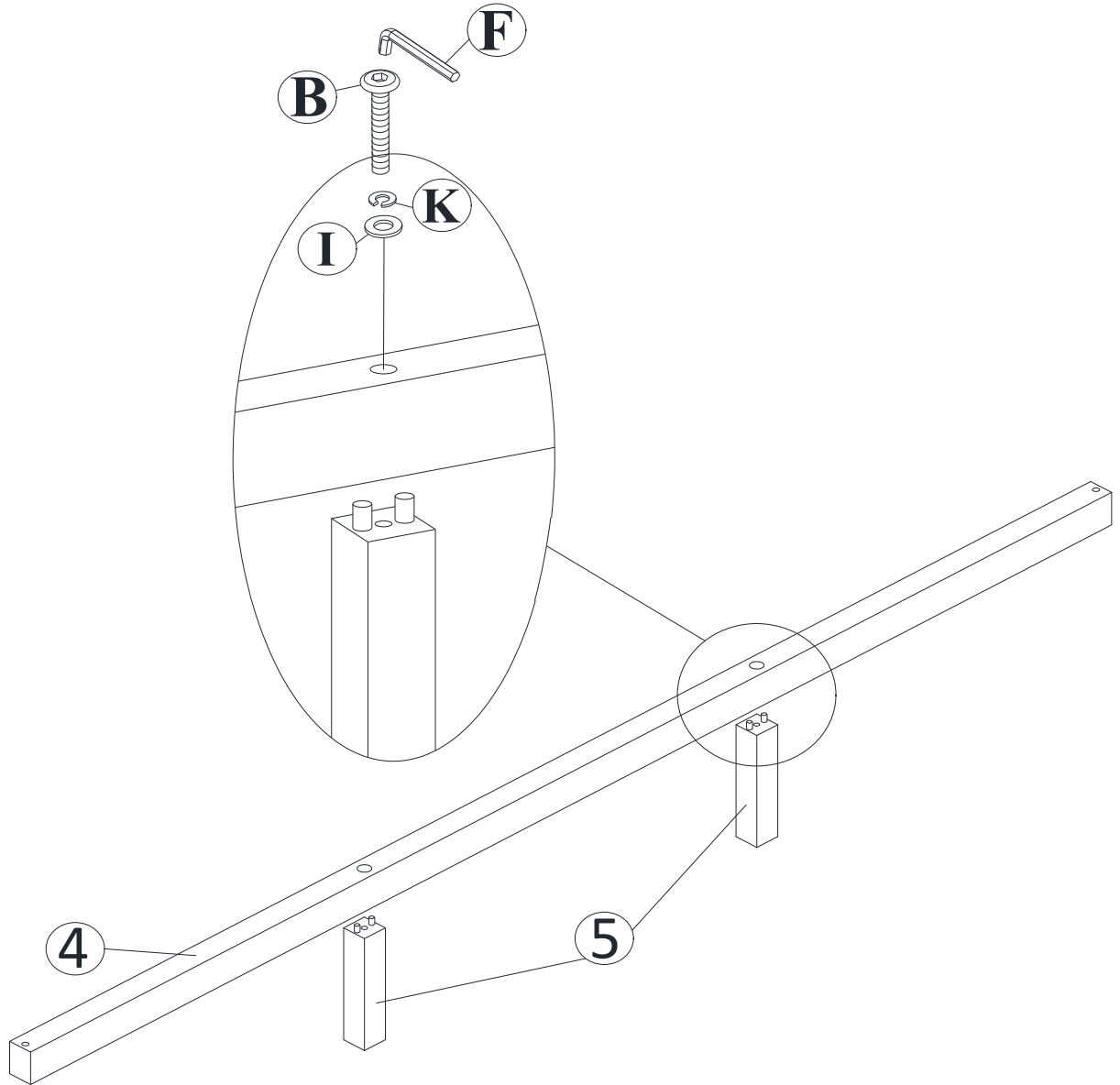
- Attach Side rail (3) to Front Legs secure using Bolts (C) Flat washers (J) and Lock Washers (K).
- Tighten with Allen Key (F).







C. Bolts M6x45  8pcs	F. Allen key M4  1pc	J. Flat Washers (Φ6.5xΦ16)  8pcs	K. Lock Washers (Φ6.5xΦ9)  8pcs
---	---	--	---

STEP 4

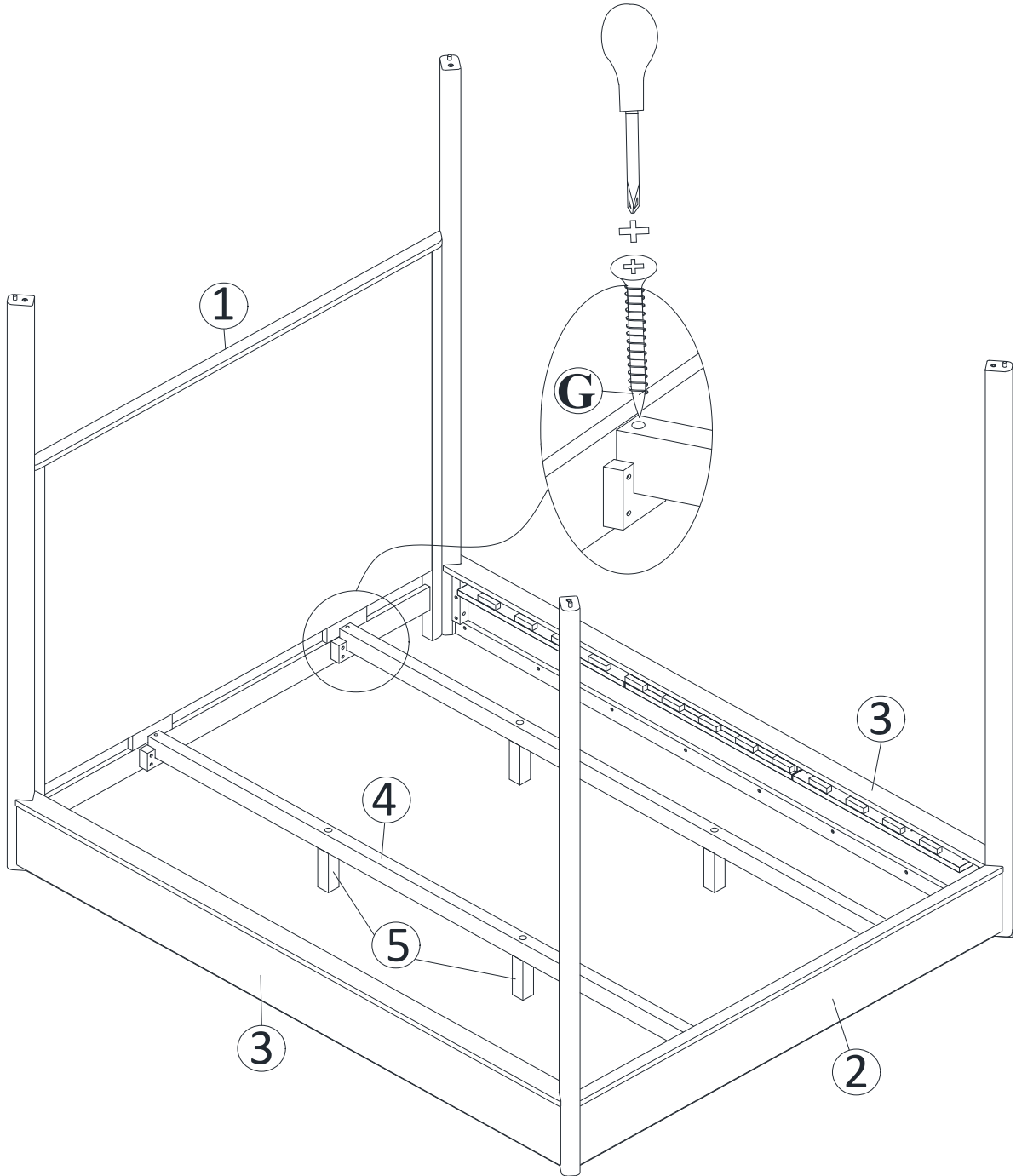
- Attach Support legs (5) to Centre rail (4) secure using Bolts (B), Flat Washers (I) and Lock Washers (K).
- Tighten with Allen Key (F).



B. Bolts M6x60  4pcs	F. Allen key M4  1pc	I. Flat Washers (Φ6.5xΦ19)  4pcs	K. Lock Washers (Φ6.5xΦ9)  4pcs
--	--	--	---

STEP 5

- Attach Centre rail (4) to Headboard (1) and Footboard (2) using Screws (G).
- Use Screwdriver or Power Drill on Low Speed.



G. Screws M4x40

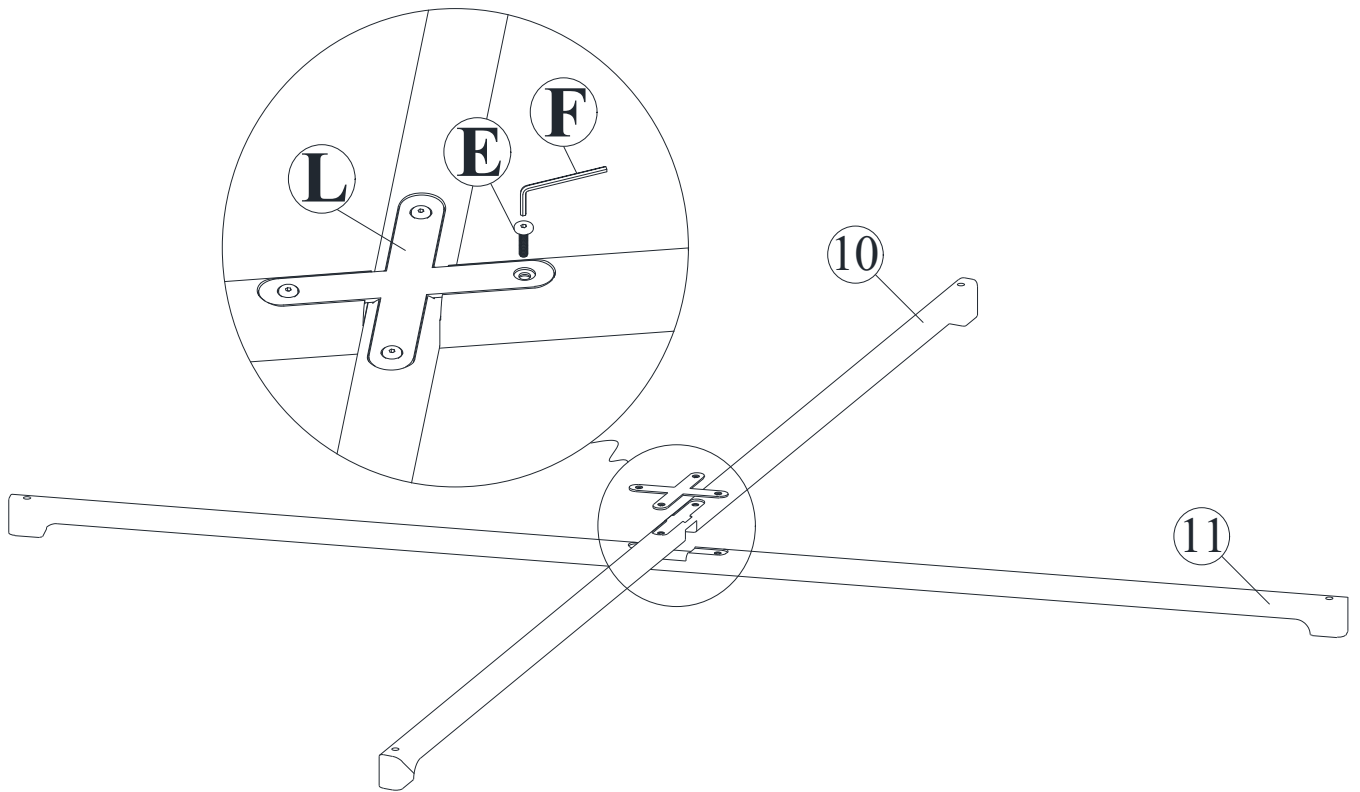


4pcs



STEP 6

- Attach Top poster (10) to Bottom poster (11) secure using Bolts (E) & Supporting bracket(L) .
- Tighten with Allen Key (F).

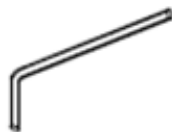


E. Bolts M6x15



4pcs

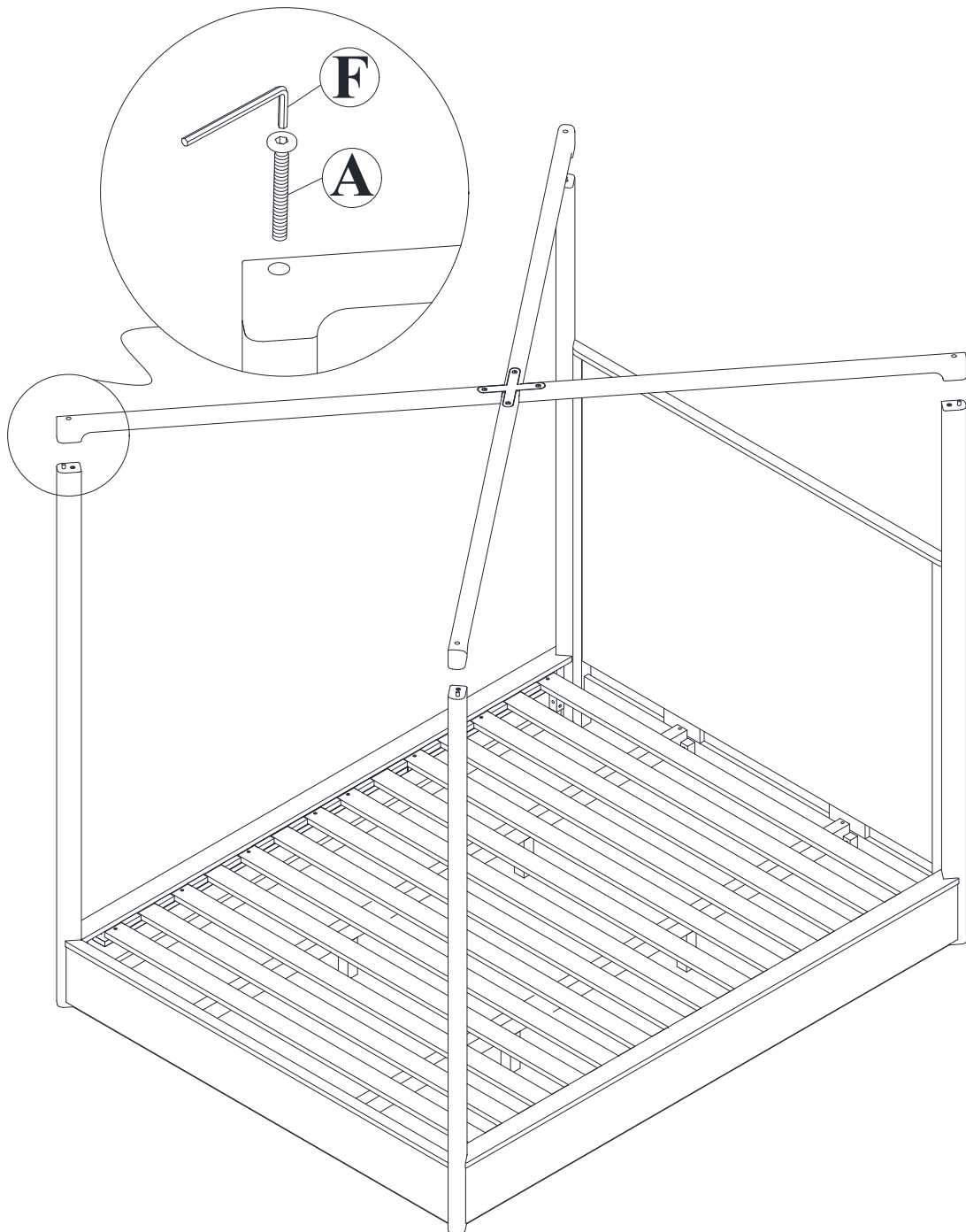
F. Allen key M4





1pc

STEP 7

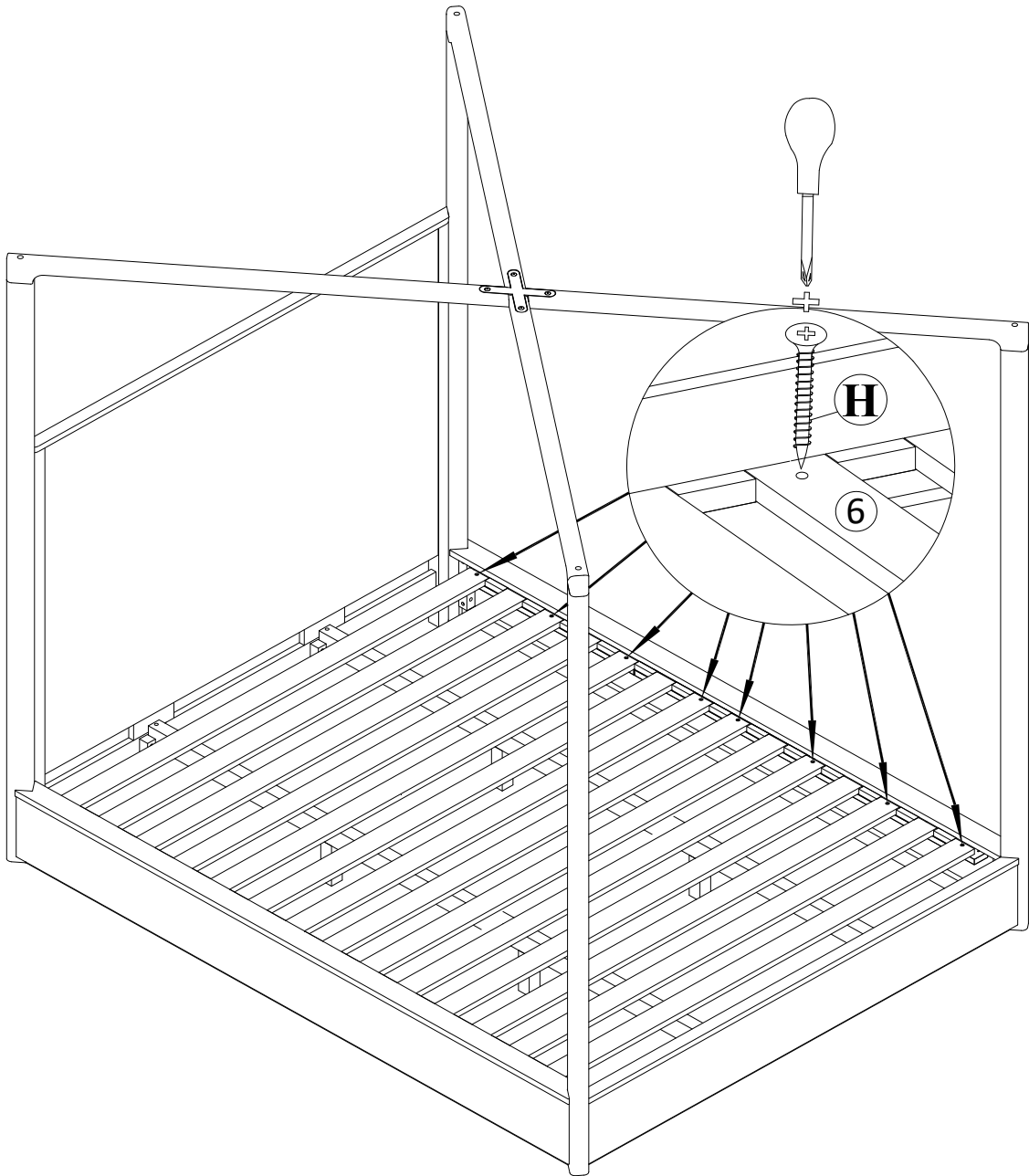
- Attach Poster to Front leg and Back leg secure using Bolts (A) .
- Tighten with Allen Key (F).



A. Bolts M6x70	F. Allen key M4
	
4pcs	1pc

STEP 8

- Attach Slats (6) to Siderail (3) using Screws (H).
- Use Screwdriver or Power Drill on Low Speed.
- Please only screw down every 2nd slat.
- First and last slats need two screws each.



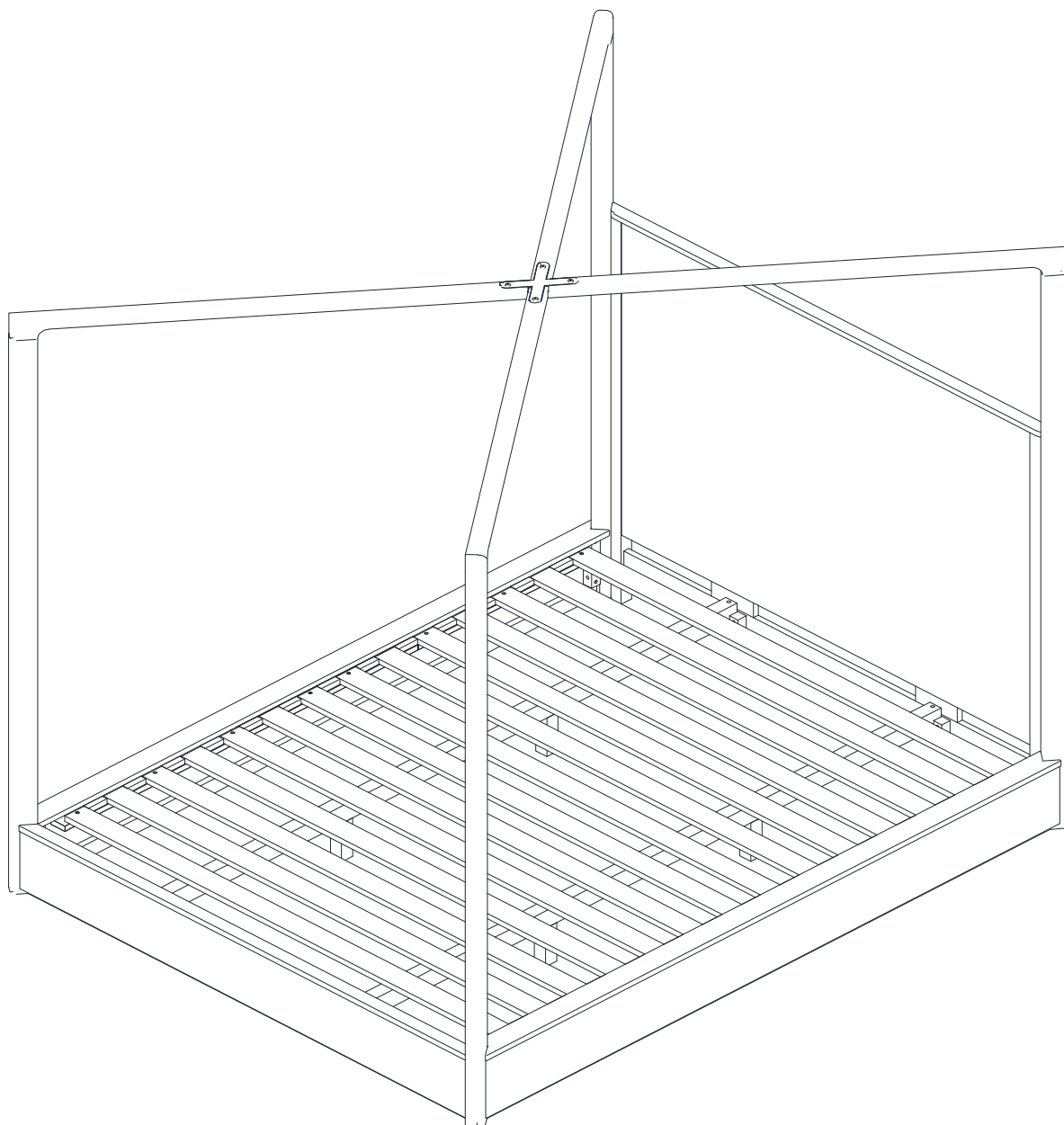
H. Screws M4x30



16pcs



ASSEMBLY IS COMPLETE



CAUTION

Always Lift Your Bed When Moving/Relocating – Do Not Drag.

Dragging Can Cause The Centre Support Legs To Bend/Break

Note: *DO NOT PUSH OR DRAG THIS FURNITURE – IT WILL CAUSE DAMAGE TO THE LEGS*

Product Care for Timber Items



As our timber is supplied from sustainable forests there will be natural variations in surface texture and grain like knots, mineral streaks and sap runs that may affect the finish. These differences in character are not defects, but distinctions that make each piece of furniture unique.

Our furniture is built to last. Following these steps for basic care should protect your investment for years to come.

- Dust frequently with a clean damp lint-free cloth. This will help remove abrasive build up which can damage a finish over time.
- Do not place hot objects on any furniture surface. Always use a hot plate or placemat. Laminate and lacquer finishes on table tops provide added scratch and heat resistance to our furniture, but they can still be damaged without proper care.
- Avoid exposing your furniture to strong sunlight, heat outlet, open windows or dampness. Prolonged exposure to direct sunlight can fade the finish of your furniture, while extreme temperature and humidity changes can cause cracking or splitting.
- Do not expose your furniture to any liquids. Never allow water to sit on your furniture. Alcohol, nail polish and perfume are also dangerous as they will dissolve the lacquer finish on contact and may require professional repairs.
- Do not allow plastic to come in direct contact with your furniture. Chemicals in the plastic of placemats etc. may soften and mark the finish if left in contact with the furniture for a period of time.